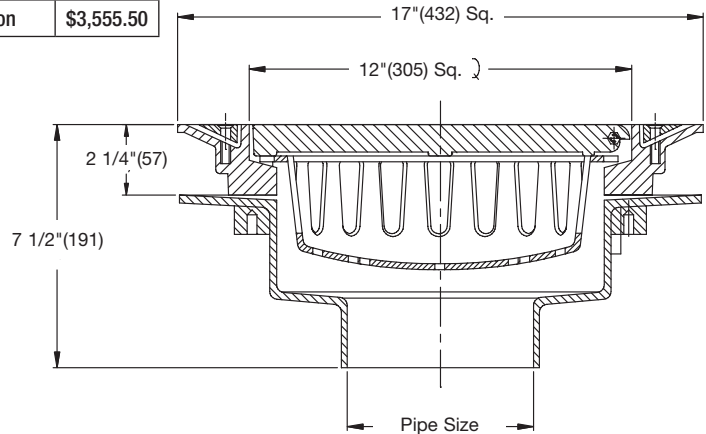


# Parking Deck Drains

**FD-490-F-4**

**Parking Structure Drain with Heavy Duty Grate and Bucket**

Model Number	Weight (lbs.)	Grate Size	Outlet Size	Grate	List Price
FD-493,4,5,6,8,10-F-4	112	12" Sq.	3,4,5,6,8,10"	ductile iron	\$3,555.50



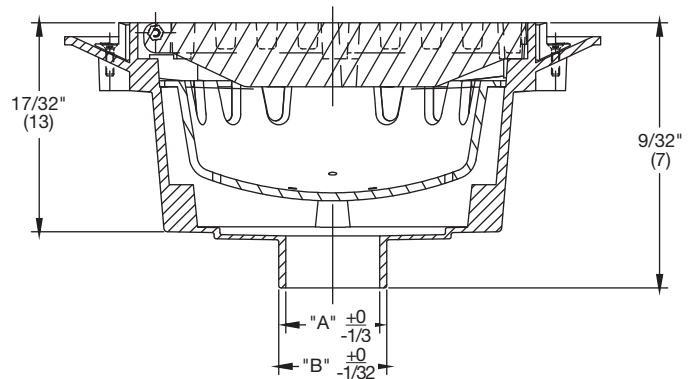
### Option for FD-490 Series:

Suffix	Description	List Price
P	Push On	No Add
X	Inside Caulk	No Add
-6	Vandal Proof	\$147.00
-13	Galvanized	1010.00

**FD-490-F-80**

**Aluminum Parking Structure Drain with Heavy Duty Grate and Bucket**

Model Number	Weight (lbs.)	Grate Size	Outlet Size	Grate	List Price
FD-493, 4, 6,8,-F-80	112	12" Sq.	3,4,6,8,"	aluminum	\$3,628.00



*Note:* Funnels are ordered separately.  
See page 63 for details.

### Option for FD-490 Series:

Suffix	Description	List Price
-6	Vandal Proof	\$147.00
-13	Galvanized	1010.00

Supplied By:



**877-903-7246**

[www.commercialplumbingsupply.com](http://www.commercialplumbingsupply.com)



Consult factory for all applications outside of listed parameters.  
Prices do not include applicable taxes.